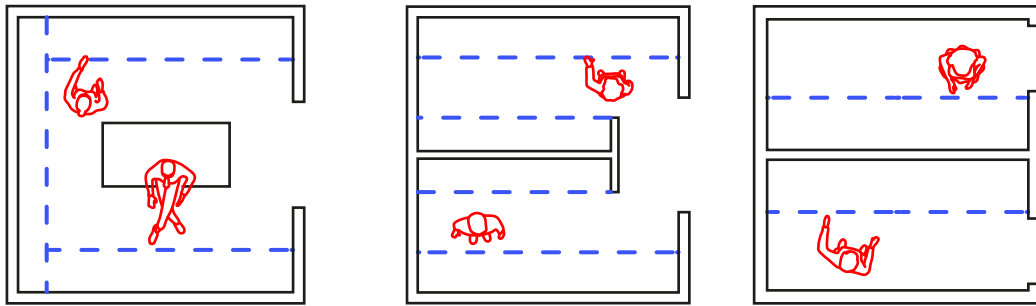


- Reach-In
- Reach-In Back
- Reach-In Side
- Reach-In L Shaped
- Reach-In U Shaped
- Hangers & Shelves
- Double Sided Hangers



- Island Walk-In Closet
- Split Double Sided Walk-In Closet
- Split Single Sided Walk-In Closets

**Choose** your closet type you want to build.

INCHES

A =

B =

C =

D =

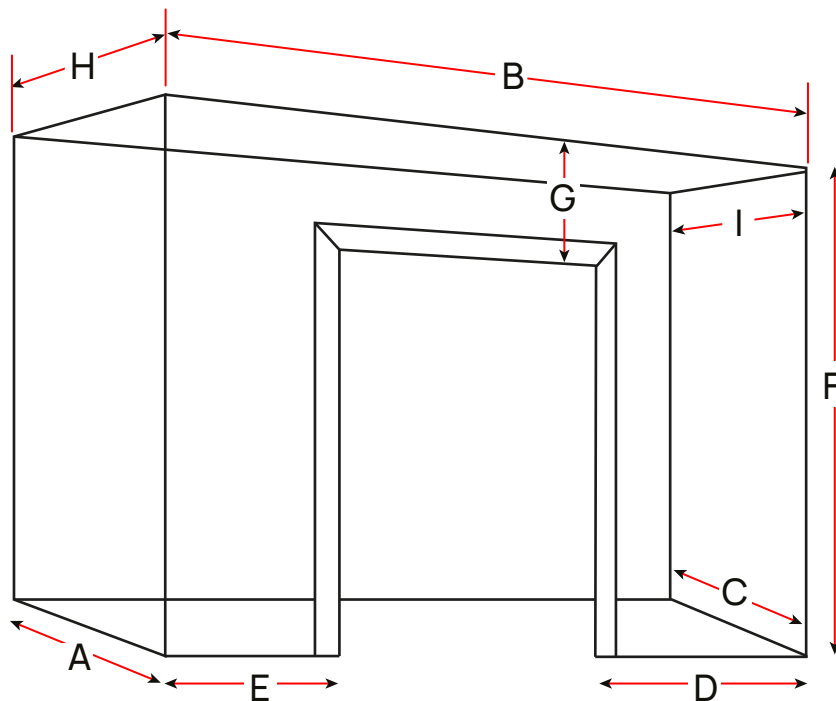
E =

F =

G =

H =

I =



**Please** do not include door frame in your measurements. Make sure to measure outlets, switches and other obstructions.

This is a great time to take stock of your belongings and clothing and eliminate what you don't use or need. Remember: each item of clothing takes up 1.5" of space (on average).

### Consider What You Need:

- How much hanging space do you need?
- How much shelf space do you need for items like sweaters, t-shirts, etc.?
- How much space for your shoes?
- Do you want drawers for items such as undergarments, socks, PJ's, etc.?
  
- **Is this a closet?**  Yes  No (if no, go to other room applications option)
- **Type of closet:**  Reach-In  Walk-In  Master Walk-In  Kids  Linen  Built-In
- **Type of closet doors:**  Sliding  Regular  Bi-fold  None
- **Closet requirements:**  Double hanging/short garments  Single hanging/long garments  
 Drawers  Shelves
- **Closet accessories:**  Hamper Pullout  Slide-out (Shoe) Shelves  Slide-out Tie Rack Swivel  
 Slide-out Valet Rod  Slide-out Belt Rack Swivel  Slide-out Mirror Swivel  
 Doors
- **Other room applications:**  Home Office  Media Center  Garage  
 Laundry  Pantry  Other

If you have a reach-in closet, what kind of doors do you have? Standard single door, sliding, bi-fold, French? What is the door opening measurement? This is important when determining where the placement of drawers and storage towers should be.

### Review existing designs on our website:

- Find what you need, place the order.
- Can't find it? Let us create a free custom design for you.

**If other please describe:** \_\_\_\_\_

\_\_\_\_\_

\_\_\_\_\_



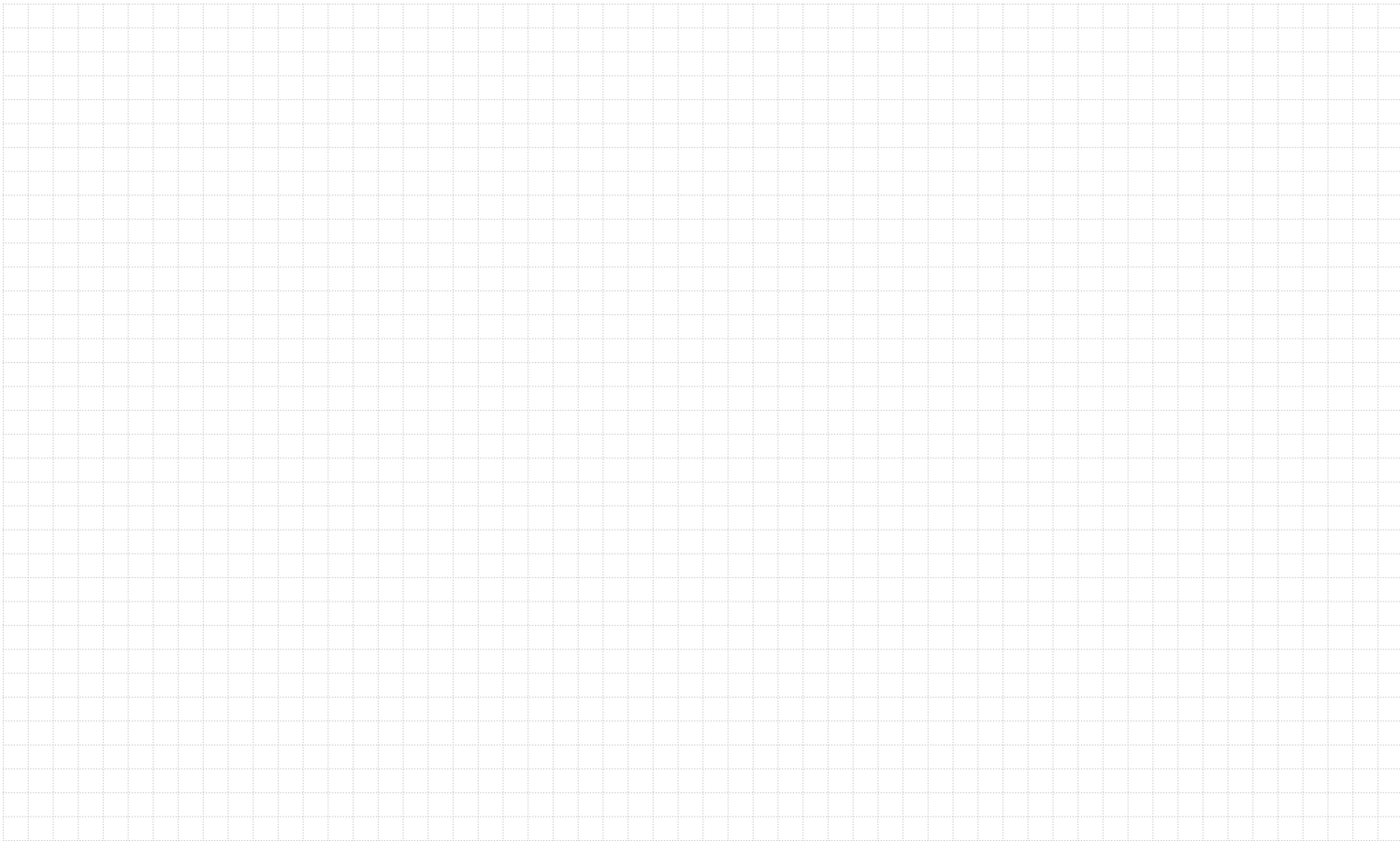
Job Name : ..... Date : .....  
 : .....  
 Address : .....  
 : .....  
 Designer : ..... Page : ..... of .....

**CLOSET and MATERIAL SPECIFICATIONS**

Floor Number : ..... Demolished : Yes <input type="checkbox"/> No <input type="checkbox"/> Apartment : Yes <input type="checkbox"/> No <input type="checkbox"/> Detached : Yes <input type="checkbox"/> No <input type="checkbox"/> Parking Place : Yes <input type="checkbox"/> No <input type="checkbox"/> Elevator : Yes <input type="checkbox"/> No <input type="checkbox"/> Room Name : ..... Install : Susp Flr Mixed Ceiling Ht : ..... System Ht : 84" 90" 96" Cutbacks : Yes <input type="checkbox"/> No <input type="checkbox"/> Base : .....x.....Shoe : .....x..... Laminate Color : ..... Door Insert : Frost <input type="checkbox"/> Clear <input type="checkbox"/> Wire <input type="checkbox"/> Reed <input type="checkbox"/> Mesh <input type="checkbox"/> Mirror <input type="checkbox"/> Adjustable Shelf : Shelf Pin <input type="checkbox"/> Pin-in-Place(childsafe) <input type="checkbox"/> Oval Rods : Chr <input type="checkbox"/> BrChr <input type="checkbox"/> Round Rods : Chr <input type="checkbox"/> BrChr <input type="checkbox"/> ORB <input type="checkbox"/>	Handle : Yes <input type="checkbox"/> No <input type="checkbox"/> Catalog : ..... Roolout in Matching Laminate : Box <input type="checkbox"/> Scoop <input type="checkbox"/> Sweater <input type="checkbox"/> Counter : Supply Own <input type="checkbox"/> 3/4" <input type="checkbox"/> 1"HPL <input type="checkbox"/> CT Color : ..... 14" Deep Baskets : ORB <input type="checkbox"/> Chr <input type="checkbox"/> BrChr <input type="checkbox"/> Backing : Yes <input type="checkbox"/> No <input type="checkbox"/> Door Front : ..... Drawer Front : ..... Open Frame Doors : Yes <input type="checkbox"/> No <input type="checkbox"/> Crown : 1pc Windsor <input type="checkbox"/> 1pc Angled <input type="checkbox"/> Scribe : Yes <input type="checkbox"/> No <input type="checkbox"/> Base : Contempo <input type="checkbox"/> Traditional <input type="checkbox"/> Shoe : Quarter Rd. <input type="checkbox"/> Angled <input type="checkbox"/> Contempo <input type="checkbox"/> Traditional <input type="checkbox"/>
--	---

**SKETCH AREA - Include Door Height and Swing Direction, Window Sizes and Electrical Locations**

Please, measure and draw the exact size of the place on sketch area. Do not diminish sizes.



**ACCESSORIES**

- |                                     |                                  |                                 |                                     |                                     |  |   |                                      |
|-------------------------------------|----------------------------------|---------------------------------|-------------------------------------|-------------------------------------|--|---|--------------------------------------|
| <input type="checkbox"/> Tie Rack   | <input type="checkbox"/> 5" Dwr  | <input type="checkbox"/> Hooks  | <input type="checkbox"/> Felt Liner | <input type="checkbox"/> 6" Bskt    | <input type="checkbox"/> Basket Liner    | <input type="checkbox"/> Shelf Divider  | <input type="checkbox"/> Lock Key    |
| <input type="checkbox"/> Belt Rack  | <input type="checkbox"/> 7" Dwr  | <input type="checkbox"/> JDA    | <input type="checkbox"/> Ling Div   | <input type="checkbox"/> 11" Bskt   | <input type="checkbox"/> Shoe Cubbies    | <input type="checkbox"/> P.O. Iron Bd   | <input type="checkbox"/> Wine Rack   |
| <input type="checkbox"/> Valet Rod  | <input type="checkbox"/> 10" Dwr | <input type="checkbox"/> JDV    | <input type="checkbox"/> Dwr Div    | <input type="checkbox"/> 17" Bskt   | <input type="checkbox"/> P.O. Pants Rack | <input type="checkbox"/> Iron Bd Insert | <input type="checkbox"/> Spice Rack  |
| <input type="checkbox"/> Tie Butler | <input type="checkbox"/> 12" Dwr | <input type="checkbox"/> 3-Tier | <input type="checkbox"/> Cedar Dwr  | <input type="checkbox"/> Titlt Hmpr | <input type="checkbox"/> P.O. Mirror     | <input type="checkbox"/> WM Iron Bd     | <input type="checkbox"/> Steep Stool |

Draw a top-down view of your closet on the grid above. Make sure you include wall measurements and ceiling heights/slopes. Please note height and thickness of baseboards. Measure doors and windows, including molding. Tell us location and type of door (folding, sliding, etc.) and how it opens. Locate pipes, access panels, outlets and switches in your closet.